

Vesuvius

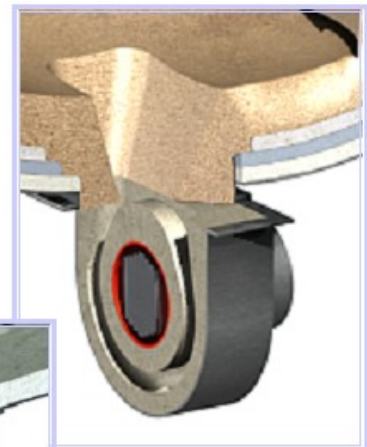
Foundry Applications



VESUVIUS

Kellundite

Dry Vibratable Refractory Range



www.vesuvius.com

Vesuvius UK Limited
2, Midland Way, Central Park
Barlborough Links
S43 4XA, UK
Tel: +44 (0)1246 571700
Fax: +44 (0)1246 571701

Vesuvius

Foundry Applications



VESUVIUS



Kellundite For Aluminium

Kellundite for aluminium coreless induction furnace melting is based on thermally stable alumina for improved resistance to thermal shock and cracking as well as containing the Vesuvius ARA non-wetting additive.

Kellundite 703 – Used for the main body lining of the coreless induction furnace.

Kellundite 707 – Essential ‘no joint’ dry vibratable topping containing select binders for added strength.



Kellundite for aluminium melting channel furnace inductors is based on high quality alumina with an addition of silicon carbide for improved performance

Kellundite 354 – High alumina dry vibratable containing silicon carbide for channel furnace inductors.

Vesuvius

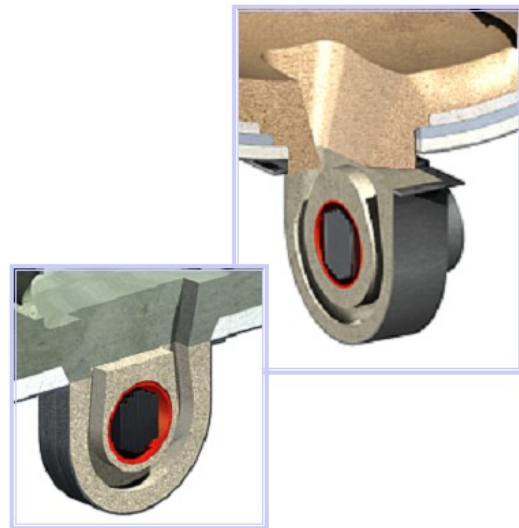
Foundry Applications



VESUVIUS

Kellundite For Copper

Kellundite products for copper are based on white fused alumina; with selected additives to prevent penetration and corrosion by copper and its alloys.



Kellundite 400 – A high alumina dry vibratable refractory specifically designed for copper and copper based alloys.

www.vesuvius.com

Vesuvius UK Limited
2, Midland Way, Central Park
Barlborough Links
S43 4XA, UK
Tel: +44 (0)1246 571700
Fax: +44 (0)1246 571701

Vesuvius

Foundry Applications



VESUVIUS



Kellundite For Steel

Kellundite – spinel forming dry vibratables for steel are all based on high quality fused alumina and magnesia.

Close adherence to the Andreasan curve and fractional analysis ensures rapid spinel formation, better resistance to penetration and longer life.

Kellundite 395 - A spinel forming, 14% MgO lining based on chrome-alumina aggregate

Kellundite 495 - A spinel forming, 14% MgO lining based on brown fused alumina.

Kellundite 857 - A spinel forming, 15% MgO lining based on white fused alumina.

Kellundite 856 - A spinel forming, 14% MgO lining based on fused alumina.

Kellundite 695 - A spinel forming, 27% MgO lining based on brown fused alumina.